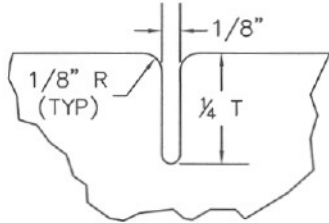
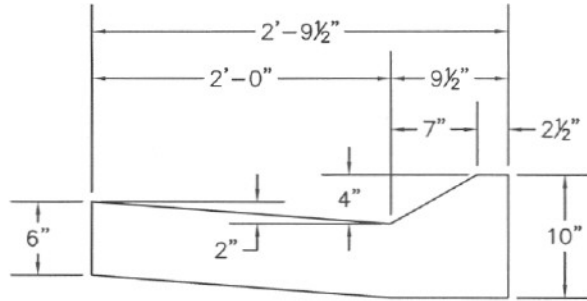


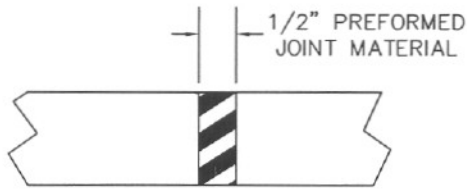
ATTACHED OR DETACHED WALK



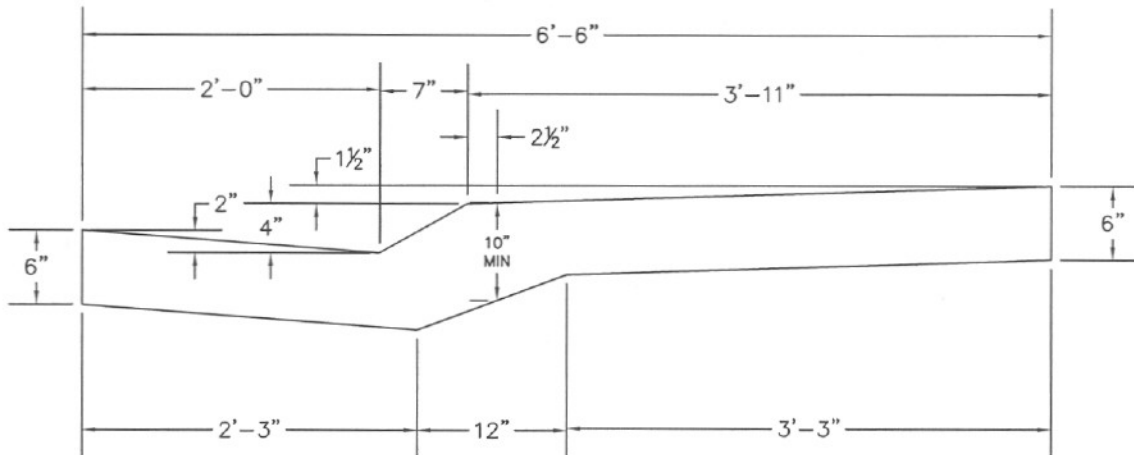
CONTRACTION OR WEAKENED PLANE JOINT



4" MOUNTABLE CURB & GUTTER



EXPANSION JOINT



MOUNTABLE COMBINATION CURB, GUTTER & WALK

Drawn By: SBW *SBW*

Checked By: *[Signature]*

Approved By: *[Signature]*

CURB, GUTTER AND SIDEWALK
SIDEWALK AND CONSTRUCTION JOINTS

Issued: 5/10/05

Revised: 8/31/06

Drawing Number:
SP. 2